

WHEEL PROFILE / WEAR GAUGES

20" - 49"
Set Shown

IMPROVE OTR WHEEL & RIM SAFETY

Ensure your OTR wheel and rim components are operating safely with our **Wheel Wear Gauges!**

GMI Wheels' Wheel Profile / Wear Gauges are a simple, effective way to identify whether components such as Rim Bases, Side Rings, Lock Rings and Bead Bands are still safe for operation.

Worn OTR wheel components can damage neighbouring parts, cause poor air seal and reduce tire life. Severely worn components can cause a failure of the tire/wheel assembly, leading to equipment damage, life threatening injuries, or death.

GMI Wheels' Wheel Wear /Profile Gauges are manufactured of rugged yet lightweight anodized aluminum, making them a perfect addition for the tool box or service truck. High-visibility markings allow for easy reading in dim lighting.

Increase customer trust and sales, and enhance safety and education!

Available Sets

Sizes: 20" - 49"
Profiles: T ; EM ; EV
P/N: GAUS-10001

Sizes: 49" - 63"
Profiles: EV, HD, FTF
P/N: GAUS-10002



SALES@GMIWHEELS.COM

1.877.576.2855



Step 1

Clean the area of inspection thoroughly to remove dirt and grime.

Step 3

Identify gaps in the area of inspection. A flashlight can be used behind the wear gauge to illuminate the gaps.

Step 5

- If a gap is within tolerance, return the product to service.
- If a gap is approaching the limit, consider pro-actively replacing the component or planning for a replacement.

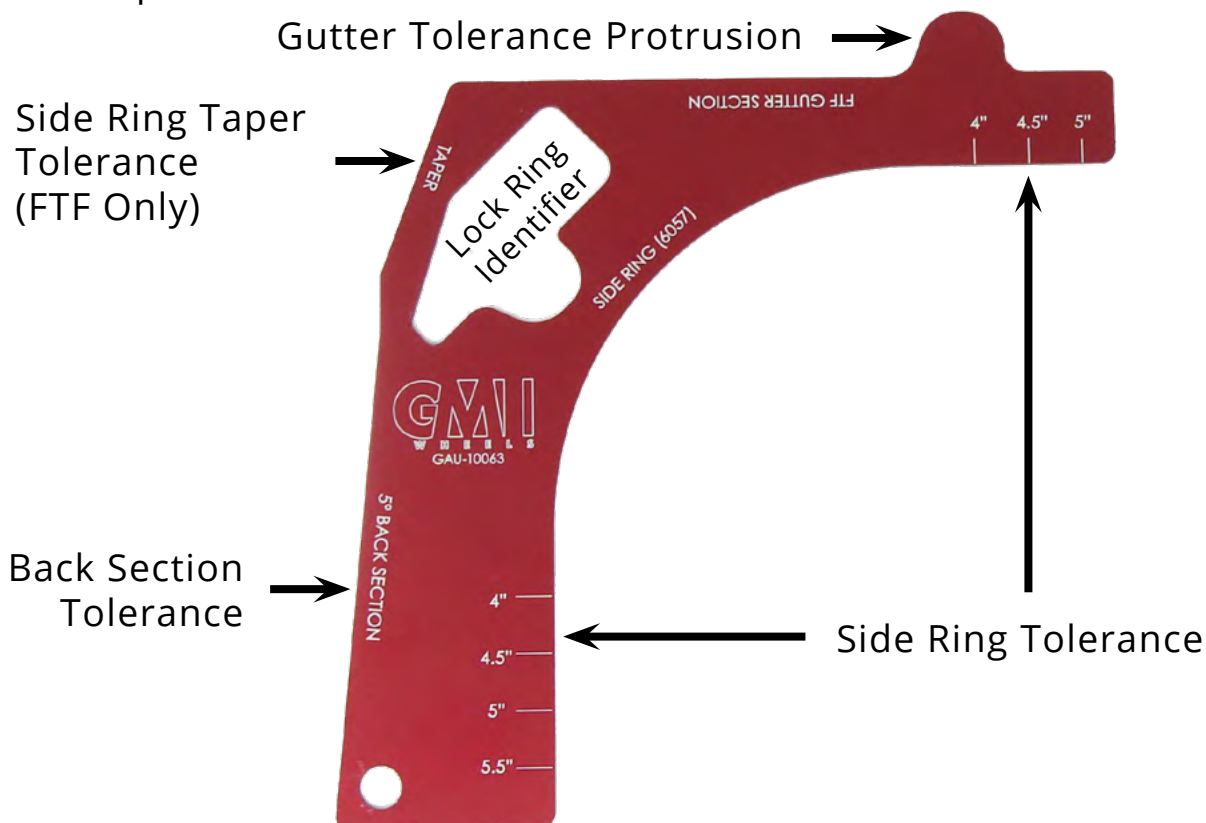
Step 2

Select the correct Wear Gauge for the parts being inspected.

Step 4

Use a tape measure or small tread depth gauge to measure the gap. Gap allowances are listed in the following pages.

- If a gap meets or exceeds the gap limit, **immediately remove the component from service**, tag it and isolate it from other components.



Line up the Wear Gauge against the wheel or component as shown in the images.

If wear appears in the area of the red oval, measure the gap.

If the wear exceeds 1/8-inch, remove the wheel or component from service.



Gutter Section



Flange



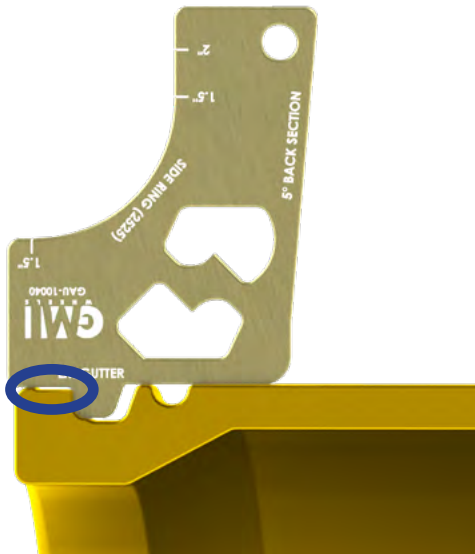
Line up the Wear Gauge against the wheel or component as shown in the images.

If wear appears in the area of the red oval, measure the gap.

If the wear exceeds 1/8-inch, remove the wheel or component from service.



Gutter Section



Flange



Side Ring



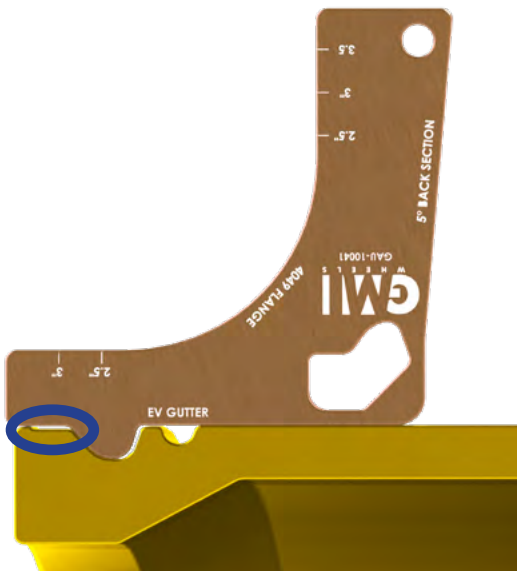
Line up the Wear Gauge against the wheel or component as shown in the images.

If wear appears in the area of the red oval, measure the gap.

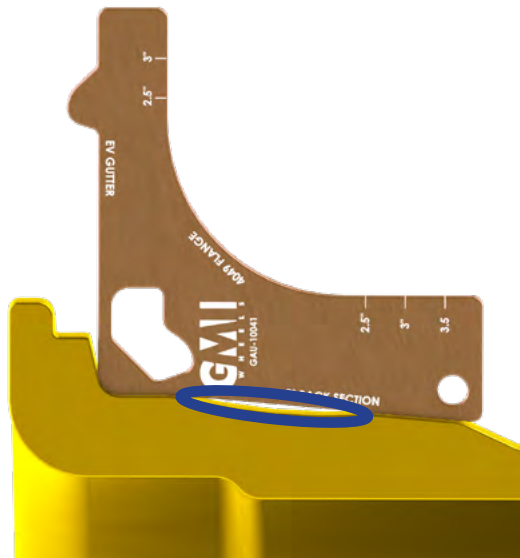
If the wear exceeds 1/8-inch, remove the wheel or component from service.



Gutter Section



Flange



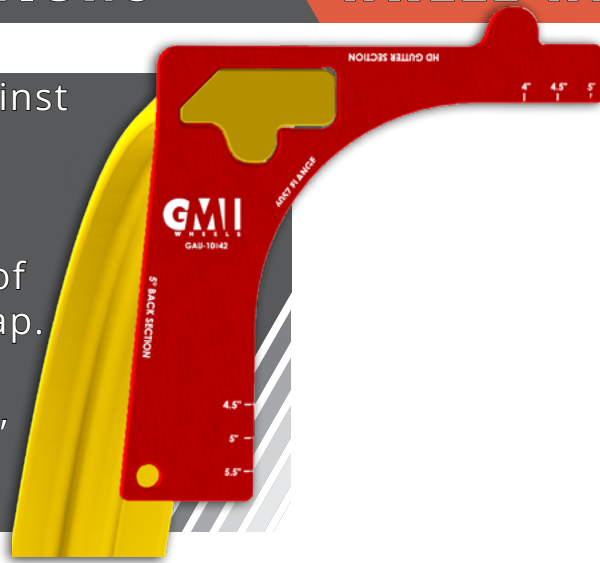
Side Ring



Line up the Wear Gauge against the wheel or component as shown in the images.

If wear appears in the area of the red oval, measure the gap.

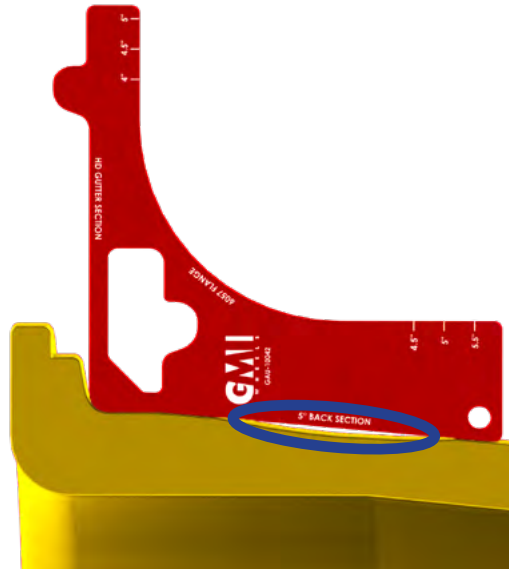
If the wear exceeds 1/8-inch, remove the wheel or component from service.



Gutter Section



Flange



Side Ring



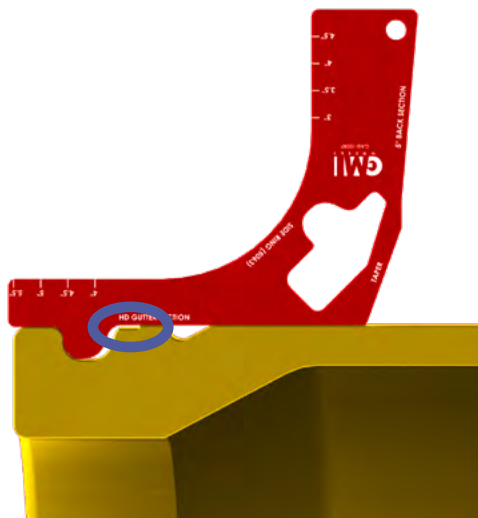
Line up the Wear Gauge against the wheel or component as shown in the images.

If wear appears in the area of the red oval, measure the gap.

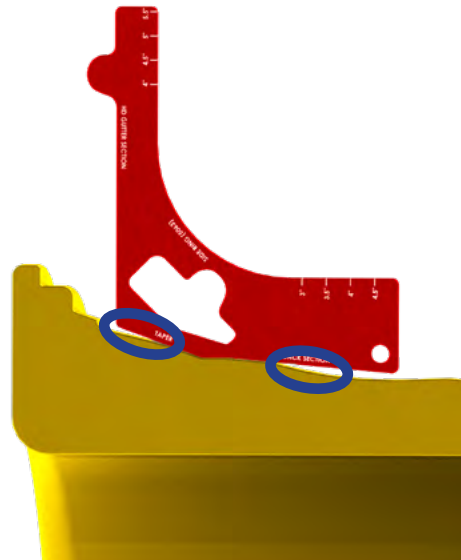
If the wear exceeds 1/8-inch, remove the wheel or component from service.



Gutter Section



Taper



Side Ring



STUD THREAD GAUGES

IDENTIFY STRETCHED THREADS EASILY

Identify damaged or stretched studs easily, with our thread gauges. No more guessing!

Compact and precision laser cut, these stainless steel gauges allow technicians to quickly evaluate the condition of wheel studs prior to mounting.

Available in a complete set that covers nearly all OTR, industrial and commercial wheel studs.

Individual gauges are available upon request.

Contact sales@gmiwheels.com to learn more!

