

# SensorShield-1600™ Spec Sheet

Version 2.0

SensorShield-1600™ follows the same self-cleaning principles as the ToughEye-1700™ line of cameras, providing industry-leading, zero maintenance, self-cleaning operation for rear-mounted optical sensors and cameras, suitable for any industrial application where a clear view is critical to the success of the operation. It continues to incorporate a rugged single-piece design, equipped with our field-proven and innovative ClearSight™ technology. One can simply integrate this shield into a sensor enclosure by replicating the indicated panel cutout and the hole pattern.



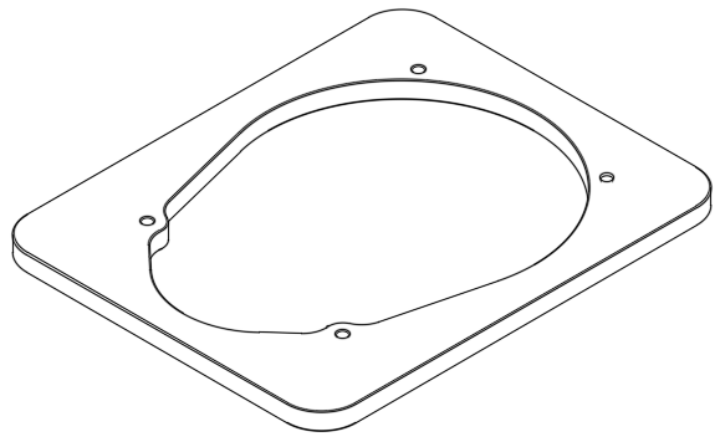
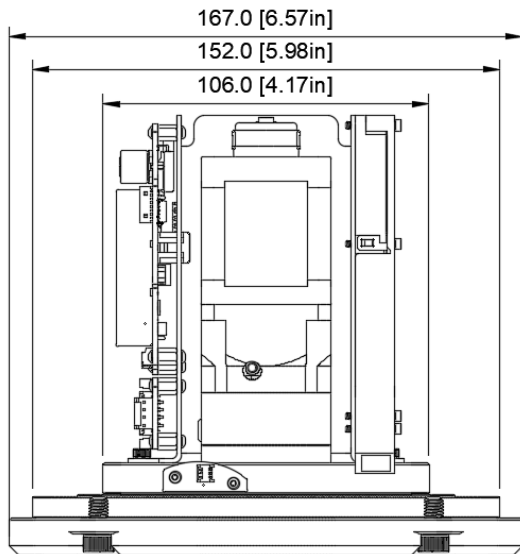
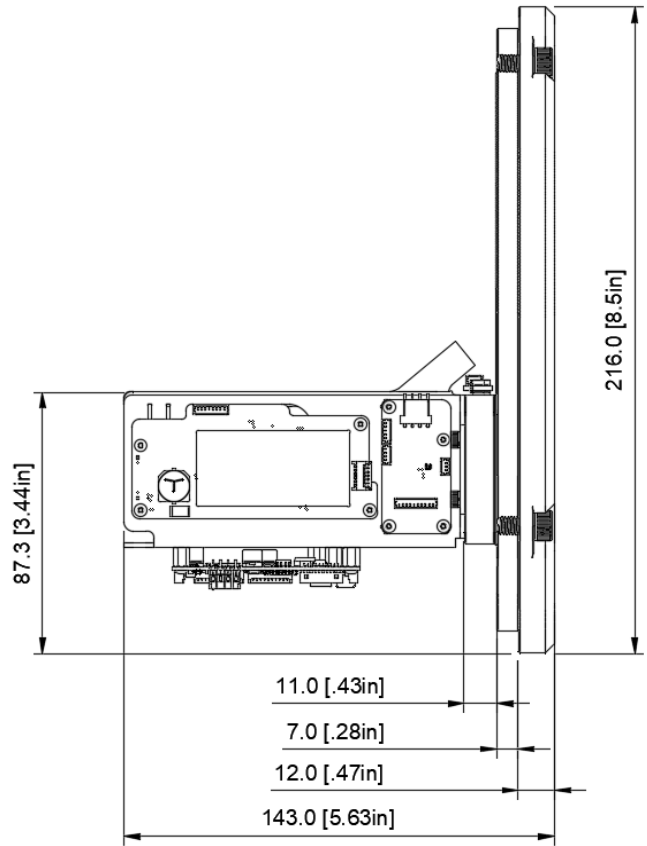
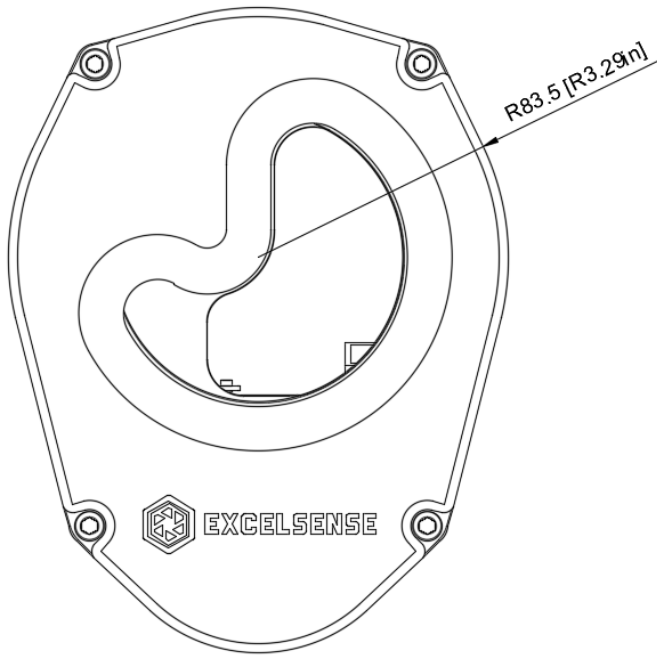
The SensorShield™ family of optical shields excels at three things: **reliability**, **zero-maintenance operation** and **clarity**.

ExcelSense can customize SensorShield-1600™ installations for almost any application. Please inquire with [info@excelsensetechnologies.com](mailto:info@excelsensetechnologies.com).

## SPECIFICATIONS

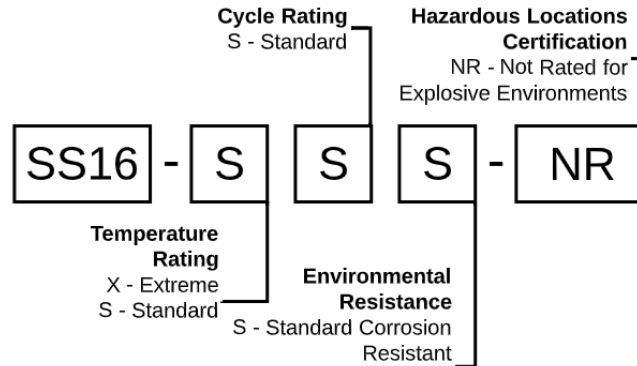
Interruption-Free View	View uninterrupted during cleaning
Dimensions	167mm width x 216mm height x 143mm depth [6.57" x 8.5" x 5.63"]
Weight	2.0Kg (4.5 lbs)
Clean Cycle	Configurable Timer Based, Electrical Trigger (up to 24 VDC)
Max Wattage	25W
Input Voltage	24 VDC
Temperature Range	-40°C to 60°C, -10°C (non-freezing) to 60°C,
IP Rating	IP69
Vibration	11G
Sensor Mounting Holes	M3 x 0.5
External Mounting Holes	M6 x 1.0

## MECHANICAL DRAWINGS



**Note:** Mount Sensor Shield using M6x1 threaded holes, as located in plate above. (Cut pattern available upon request).

## ORDERING OPTIONS



**SS16** - SensorShield-1600™

### Temperature Rating

**X** - Extreme: -40°C to 60°C

**S** - Standard: -10°C (non-freezing) to 60°C

### Cycle Rating

**S** - Standard Cycle Rating 50,000 cycles

### Environmental Resistance

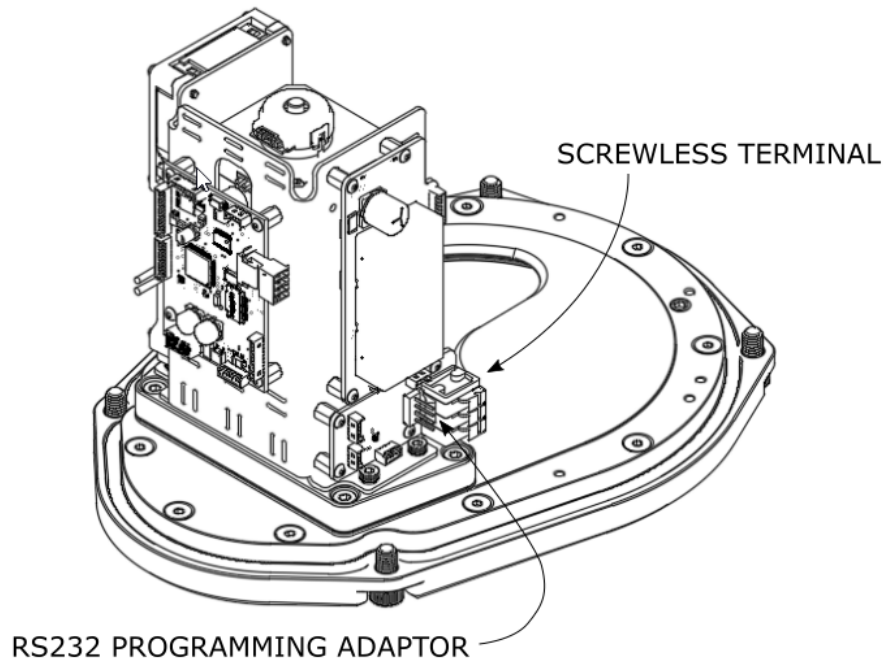
**S** - Standard Corrosion Resistant

### Hazardous Locations Certification

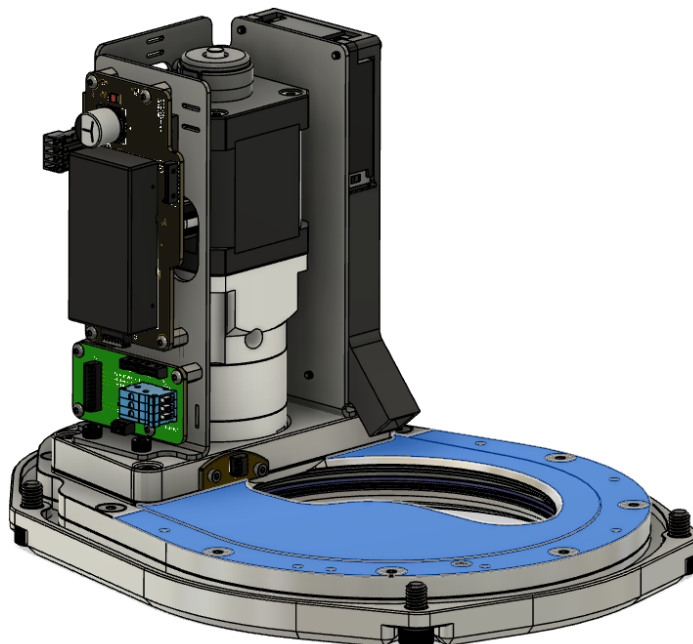
**NR** - Not Rated for Explosive Environments

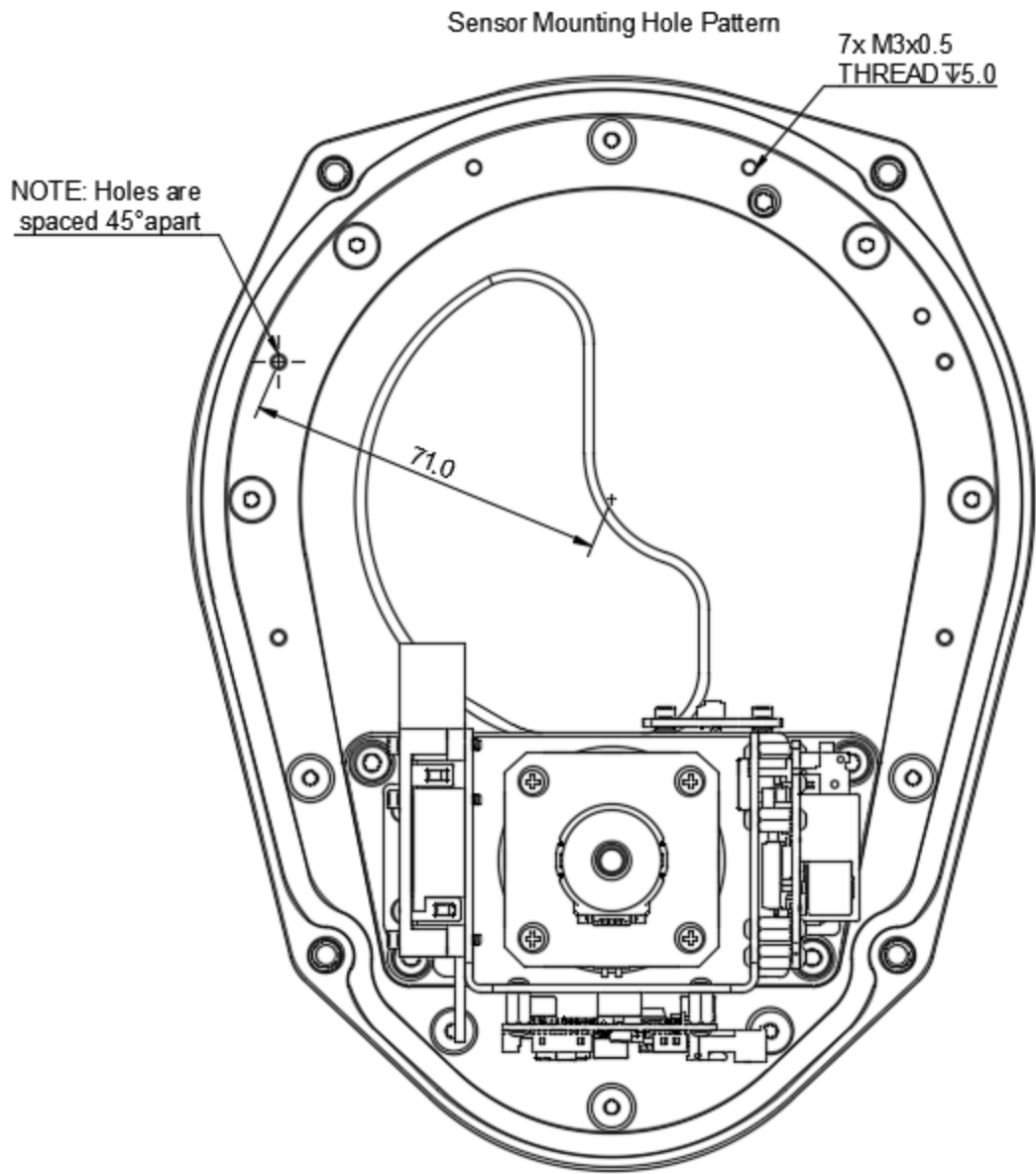
## TYPICAL INSTALLATIONS

Power with DC power supply, 24 VDC, 25W max. Electrical trigger 24V max. Terminate input cables (+V, GND, TRIG) at the screwless terminal block in the unit.



## SENSOR MOUNTING AREA (BLUE)





## Clear Glass Area Dimensions

